

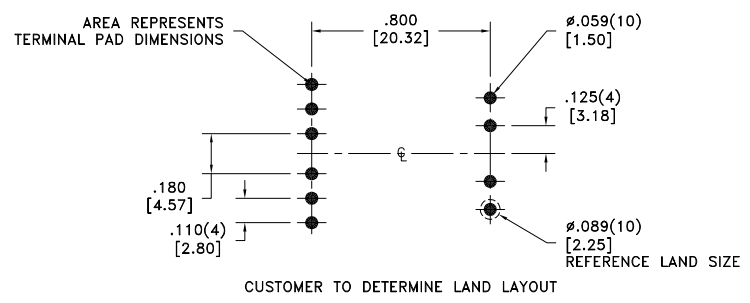
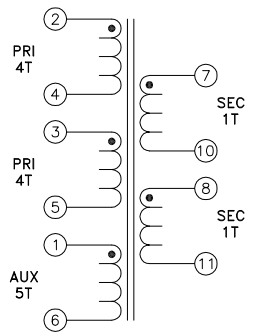
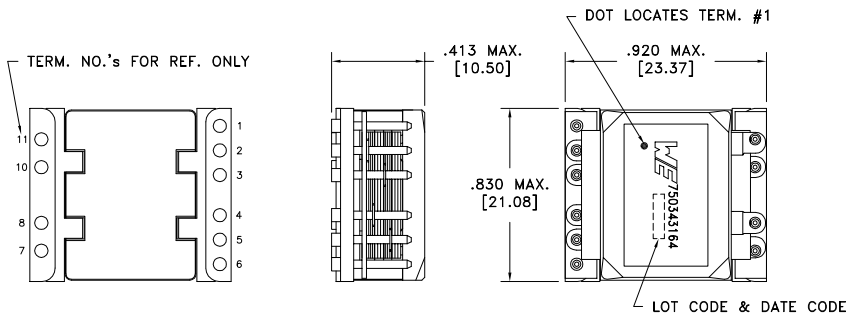
CUSTOMER TERMINAL	RoHS	LEAD(Pb)-FREE
Au100%	Yes	Yes

more than you expect



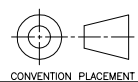
ELECTRICAL SPECIFICATIONS @ 25°C unless otherwise noted:

PARAMETER	TEST CONDITIONS	VALUE
D.C. RESISTANCE	2-4 @20°C	5.5 mOhms max.
D.C. RESISTANCE	3-5 @20°C	5.5 mOhms max.
D.C. RESISTANCE	7-10 @20°C	1.2 mOhms max.
D.C. RESISTANCE	8-11 @20°C	1.2 mOhms max.
D.C. RESISTANCE	1-6 @20°C	200 mOhms max.
INDUCTANCE	2-5 tie(3+4), 10kHz, 1.0VAC, Ls	153.0uH min.
LEAKAGE INDUCTANCE	2-5 tie(3+4, 1+6+7+8+10+11), 100kHz, 100mVAC, Ls	0.800uH max.
DIELECTRIC	2-7 tie(1+3+4, 8+10), 2250VDC, 1 second	-
TURNS RATIO	(2-4):(3-5)	1:1, ±1%
TURNS RATIO	(2-4):(7-10)	4:1, ±1%
TURNS RATIO	(2-4):(8-11)	4:1, ±1%
TURNS RATIO	(1-6):(2-4)	1.25:1, ±1%



GENERAL SPECIFICATIONS:
OPERATING TEMPERATURE RANGE: -40°C to +125°C including temp rise.

REV.	DATE	Packaging Specifications
		Method: Tape & Reel
		PKG-0871
		www.we-online.com/midcom
6A	5/17	SEE REVISION SHEET FOR REVISION LEVEL



Tolerances unless otherwise specified:
Angles: ±1° Decimals: ±.005 [.13]
Fractions: ±1/64 Footprint: ±.005 [.13]

This drawing is dual dimensioned. Dimensions in brackets are in millimeters.

DRAWING TITLE
TRANSFORMER

eiSos p/n: 750343164



PART NO.
750343164

SPECIFICATION SHEET 1 OF 1